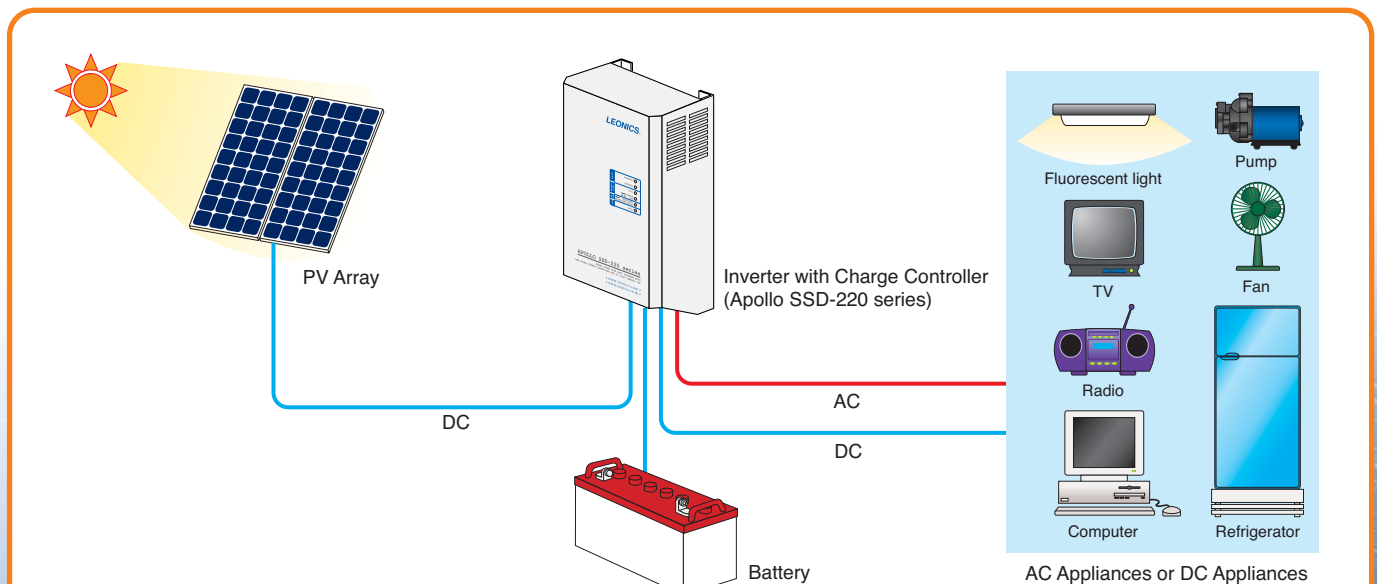


APOLLO SSD-220

Stand-alone Sine Wave Inverter with PWM Solar Charge Controller and DC Load Control 10A



- High efficiency with microprocessor control
- Pure sine wave output
- Stable output voltage and frequency
- Full protection for overload, short circuit and over temperature
- Automatic shutdown and restart when over temperature or low battery
- Automatic low battery shutdown to protect battery
- 3-stages charging to provide quick and safe charging for battery
- AC and DC power output for AC and DC appliances
- Energy saving force air cooling fan
- One touch operation and LED display
- Wall mounted type
- ISO 9001 and ISO 14001 certified



Small AC solar electrification system is suitable for any areas where there is no utility power line. The system consists of charge controller and pure sine wave inverter in the same enclosure. The charge controller controls charging current from solar arrays to storage battery and the inverter converts DC from battery to AC to supply to AC appliances. Furthermore, It can supply maximum 10 A current to DC appliances. This system is suitable for guest houses, school, health center, research centers and remote government offices.

APOLLO SSD-220 series

Stand-alone Sine Wave Inverter with PWM Solar Charge Controller and DC Load Control 10A

SPECIFICATIONS

MODEL			SSD-220A	SSD-221A
INPUT	Inverter mode	Nominal voltage	12 Vdc	
		Operating voltage range	11 - 15 Vdc	
	Charger mode	Nominal voltage	12 Vdc	
		Voltage range	0 - 23 Vdc	
OUTPUT	Inverter mode	Power continuous	150 VA / 150 Watt	300 VA / 300 Watt
		Max. surge power	200% of continuous power	
		Voltage	220 Vac \pm 1% (110 or 230 Vac option)	
		Frequency	50 / 60 Hz \pm 0.1% (crystal control)	
		Wave form	Pure sine wave	
	Charger mode	Nominal voltage	12 Vdc	
		Max. charging current	10 A	
	DC LOAD CONTROL	Nominal voltage		12 Vdc
Maximum current		10 A		
Protection		Over voltage disconnect and Short Circuit		
SYSTEM	Max. efficiency		> 80%	
	Low battery disconnect		10.3 - 11.5 Volt pre-adjust	
	Battery reconnect		12.5 Vdc	
PROTECTION			Over temperature / Overload / Short circuit / Reverse (PV) polarity / Transient voltage / Over charge / Over discharge	
INDICATOR	LED	Status	Charging (green) Inverter (green)	
		Battery level	Full battery (green) Medium / Low battery (yellow)	
		DC load	Disconnect / Short circuit (red)	
		Alarm	Fault (red)	
	Buzzer	Under voltage / Over voltage / Low battery / Overload / Short circuit / High temperature		
VENTILATION	Fan control		Automatic speed control	
ENVIRONMENT	Temperature		0 - 45°C	
	Relative humidity		0 - 95 % (Non - condensing)	
DIMENSION	W x H x D (approx.in cm)		19.5 x 36 x 12.1	
WEIGHT	Approximate in kg.		8.6	

Continuous product development is our commitment. In that manner, the above specifications may be changed without prior notice.

Authorized Distributor

LEO ELECTRONICS CO.,LTD.

27, 29 Soi Bangna-Trad Rd 34, Bangna, Bangkok 10260 THAILAND
 Tel. 0-2746-9500, 0-27468708 Fax. 0-2746-8712 e-mail : RNE@leonics.com

▪ www.leonics.com ▪

Authorized Dealer